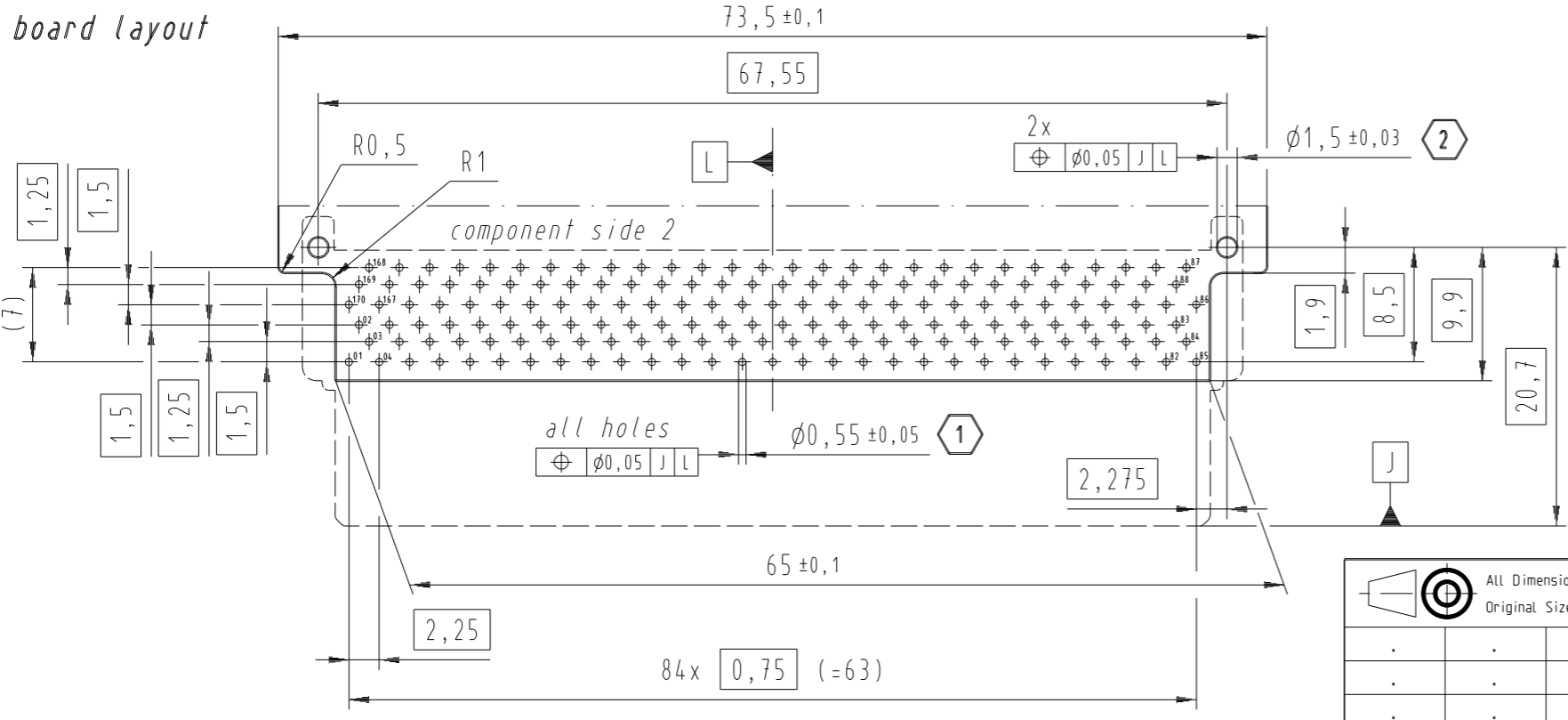
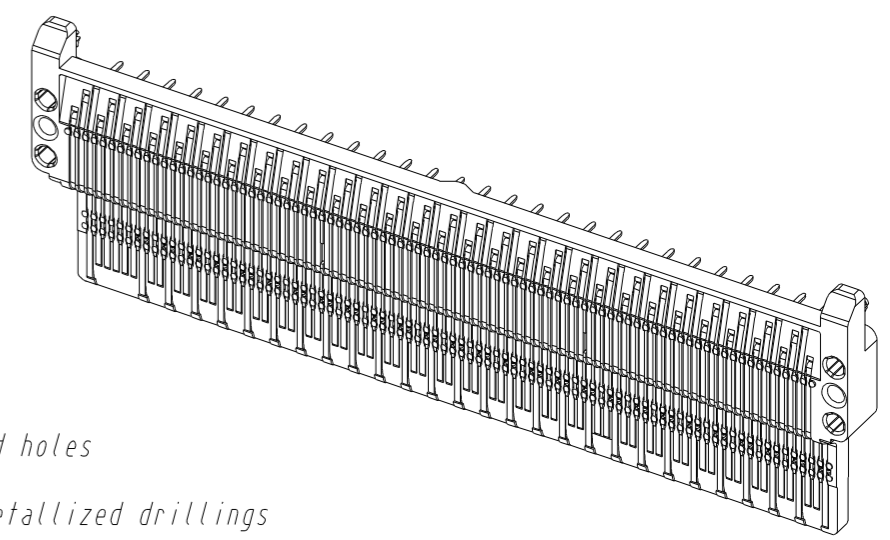
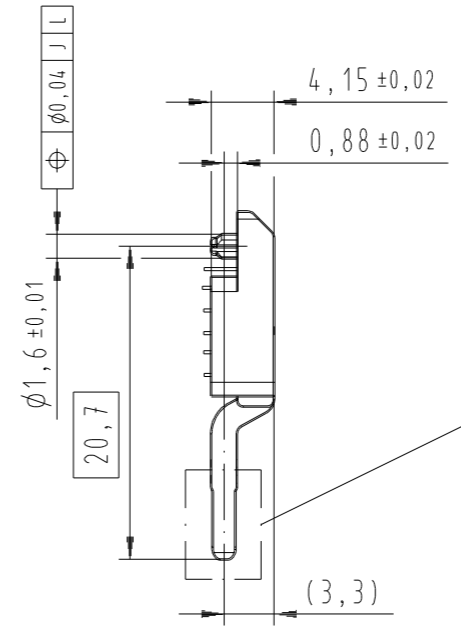
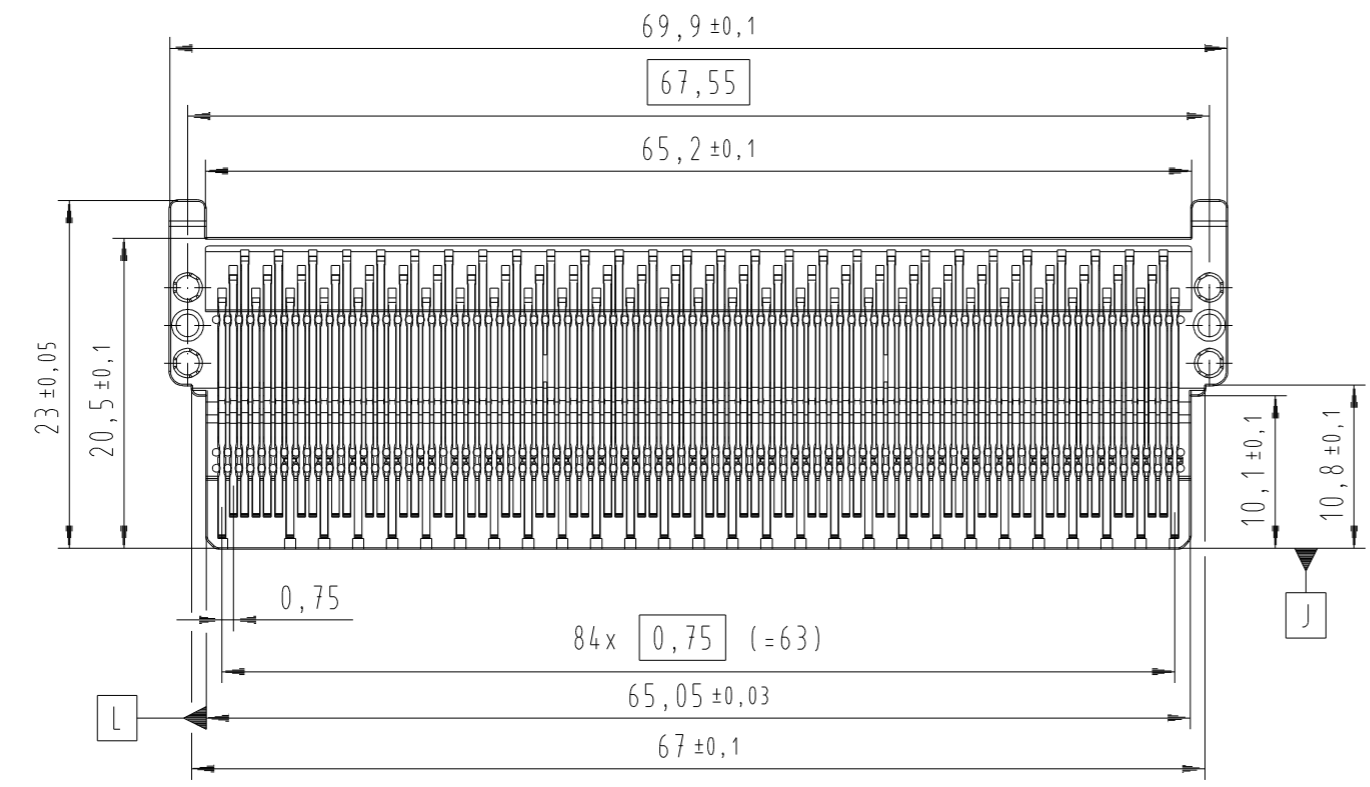
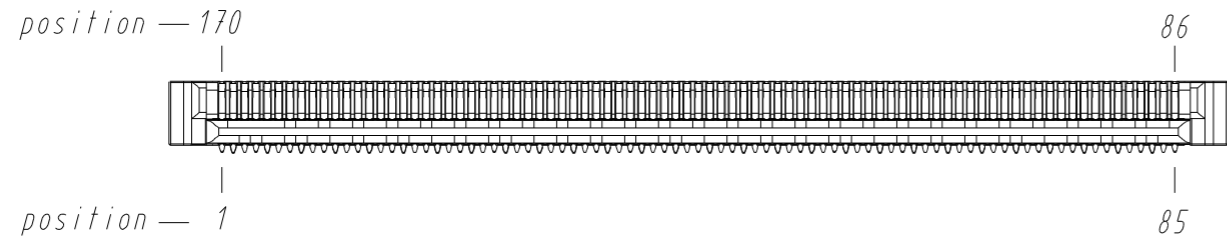


Alle Rechte vorbehalten. All rights reserved



- ① plated holes
- ② non-metallized drillings
- mating steps acc. to PICMG MicroTCA.0 and AdvancedMC.0

The following 54 contacts are internally connected (ground pins acc. to AdvancedMC.0): 7, 10, 13, 16, 19, 22, 25, 28, 31, 34, 37, 40, 43, 46, 49, 52, 55, 58, 61, 64, 67, 70, 73, 76, 79, 82, 85, 86, 89, 92, 95, 98, 101, 104, 107, 110, 113, 116, 119, 122, 125, 128, 131, 134, 137, 140, 143, 146, 149, 152, 155, 158, 161, 164

| | | | | | | | | | |
|---|------|------|--------------------------------|------------|----------------------|---|--|-----------------------|------|
| All Dimensions in mm Original Size DIN A 3 | | | Techn. Character. | | | Nicht tolerierte Maße/Free size tolerances | | | |
| | | | Dat. | Name | Maßstab/Scale 2:1 | AdvancedMC - Plug- Connector Extended Side, 170 pole, solder | | | |
| | | | Detail | 2014-10-03 | | | | | LoWi |
| | | | Insp. | | | | | | |
| | | | Stand. | | | TB 16 21 170 1303 000 | | | |
| Mod. | Dat. | Name | ITB Advanced Connectors | | | Sub. | | Blatt / page 1 / 1 | |