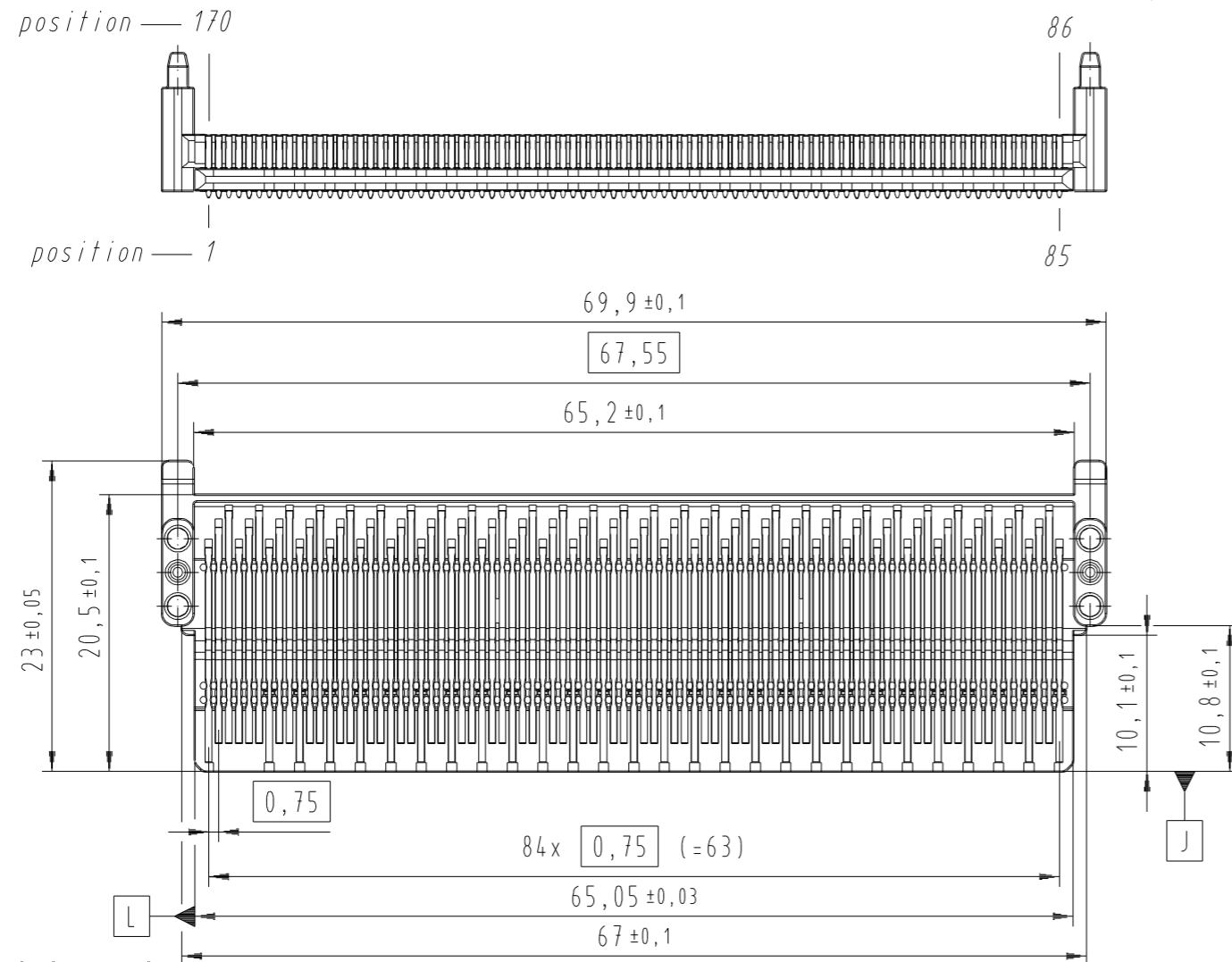


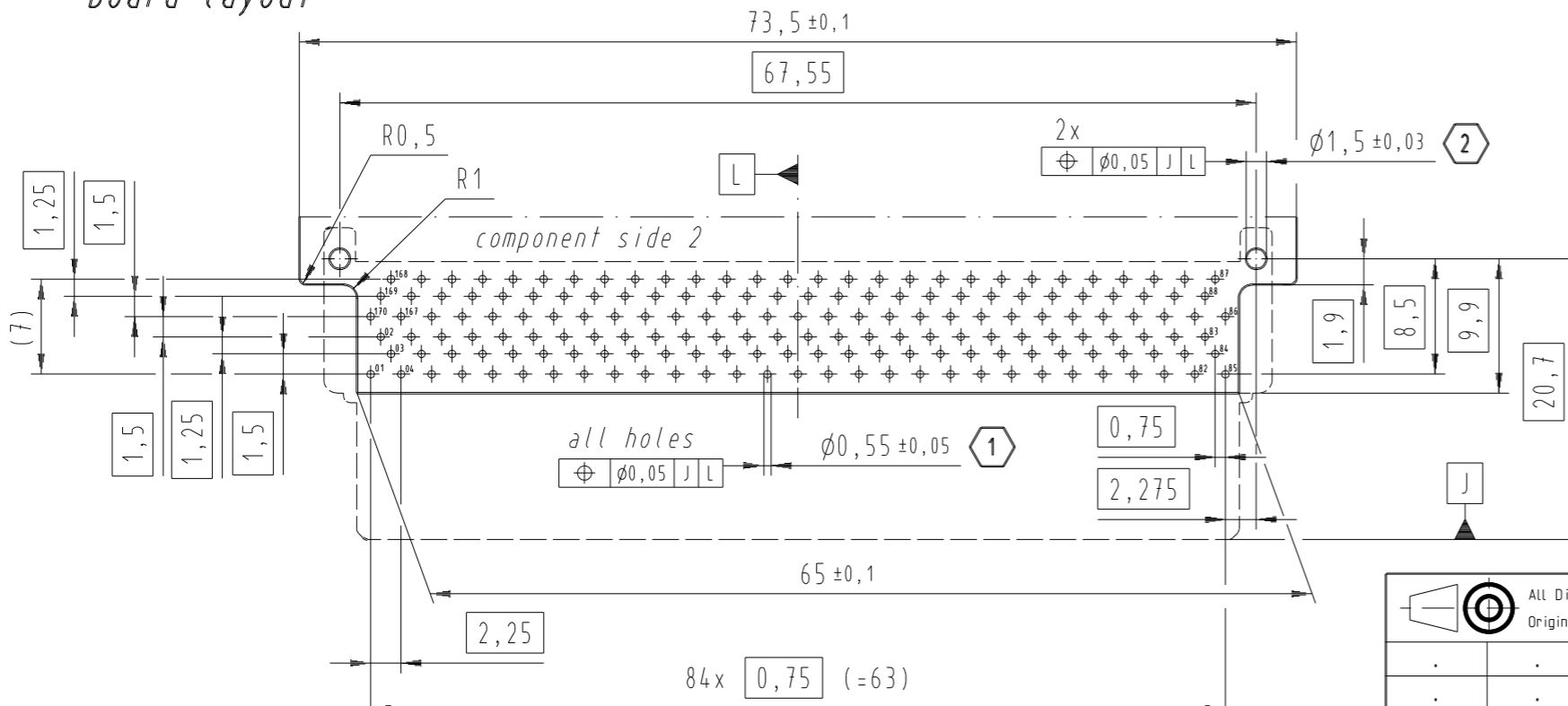
Alle Rechte vorbehalten/ All rights reserved

position — 170

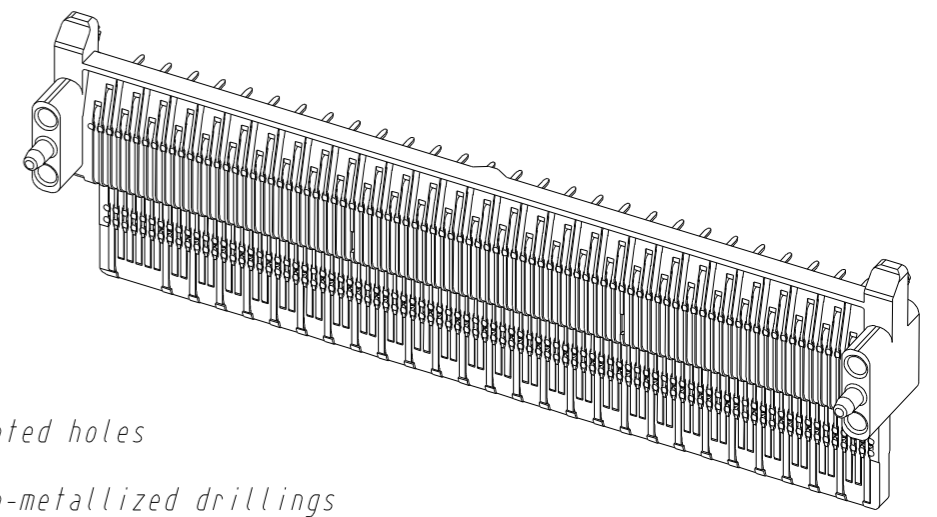
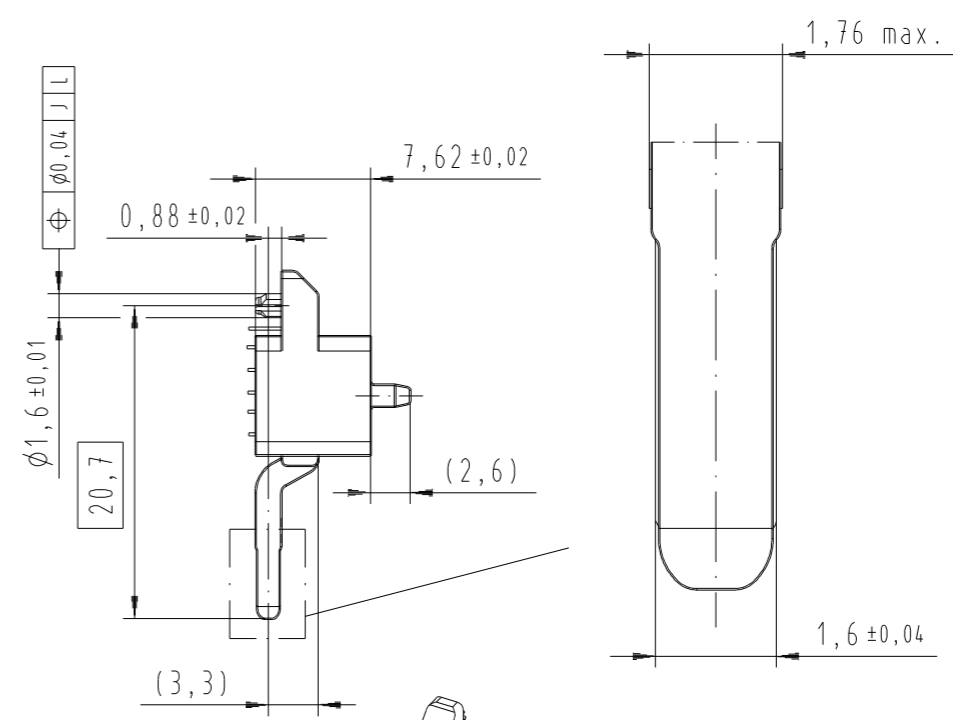
position — 1



board layout



(10:1)



- ① plated holes
- ② non-metallized drillings
- mating steps acc. to PICMG MicroTCA.0 and AdvancedMC.0

The following 54 contacts are internally connected (ground pins acc. to AdvancedMC.0): 7, 10, 13, 16, 19, 22, 25, 28, 31, 34, 37, 40, 43, 46, 49, 52, 55, 58, 61, 64, 67, 70, 73, 76, 79, 82, 85, 86, 89, 92, 95, 98, 101, 104, 107, 110, 113, 116, 119, 122, 125, 128, 131, 134, 137, 140, 143, 146, 149, 152, 155, 158, 161, 164

All Dimensions in mm Original Size DIN A 3			Techn. Character.			Nicht tolerierte Maße/Free size tolerances	
.	.	.	Dat.	Name	Maßstab/Scale	MCH-Plug-Connector, Extended Side, 170 pole, solder	
.	.	.	Detail. 2014-10-17	Low i	2:1		
.	.	.	Insp.	.	.		
.	.	.	Stand.	.	.	TB 16 22 170 1303 000	
Mod.	Dat.	Name	ITB Advanced Connectors				
						1	1